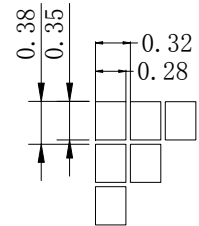
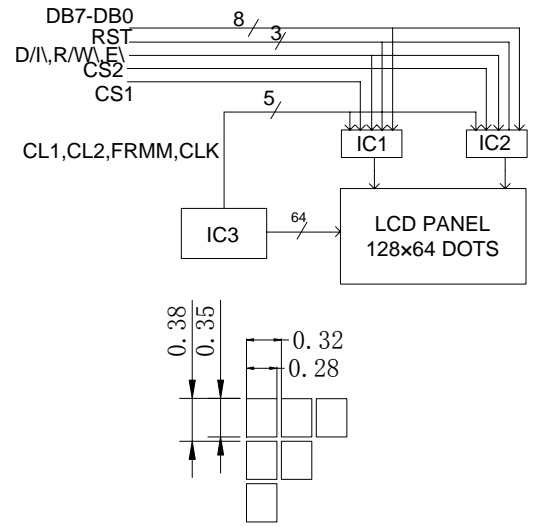
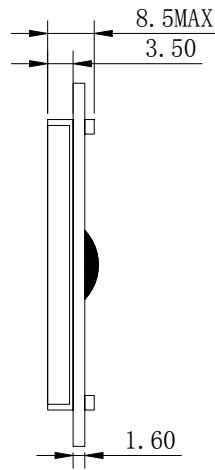
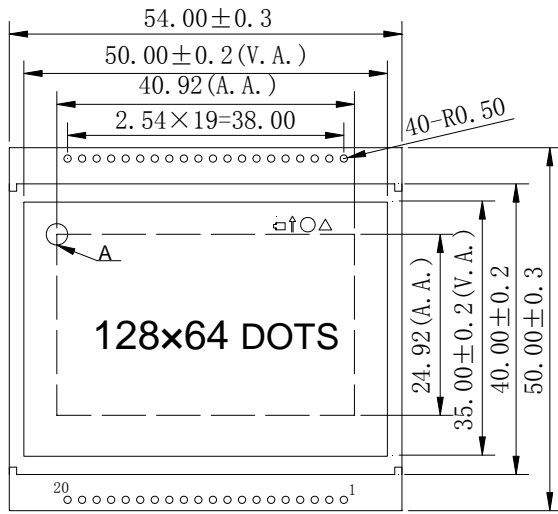


Graphic LCD Module SHZJ-A12864G

OUTLINE DRAWING AND BLOCK DIAGRAM



A 10:1

MECHANICAL DIMENSION

Item	Value
Module Size (mm)	54.0*50.00*8.5(MAX)
Viewing Area (mm)	50.0*35.0
Active Area (mm)	40.92*24.92
Dot Size (mm)	0.28*0.35
Dot Pitch (mm)	0.32*0.38

INTERFACE PIN CONNECTIONS

PIN	Symbol	Description
1	VSS	Power supply
2	VDD	
3	VEE	
4	D/I	Data/Instruction select
5	R/W	Read/Write
6	E	Read/write enable
7~14	D0~D7	Data bus 0-7
15	CS 1	Chip Selection
16	CS 2	Chip Selection
17	/RST	Reset Signal
18	V0	Power Supply For LCD Driving
19	LED+	Power supply for backlight
20	LED-	Power supply for backlight

ABSOLUTE MAXIMUM RATINGS

Item	Symbol	MIN	Max	Unit
Operating Voltage	V	-0.3	7.0	V
Input Voltage	V <sub>in</sub>	VDD-19.0	VDD+0.3	V
Operating temperature	Topr	-20	70	°C
Storage temperature	Tstr	-30	80	°C

ELECTRICAL CHARACTERISTICS OF LCM

Ta=25°C

Item	Symbol	Condition	Min.	Type	Max.	
Supply Voltage	Logic(V)	V <sub>DD</sub>	V <sub>DD</sub> -V <sub>SS</sub>	4.8	5.0	5.2
	LCD(V)	V <sub>LCD</sub>	Ta=25°C	5.8	5.0	5.2
Input Voltage	H level(V)	V <sub>IH</sub>	-	0.7VDD	-	VDD
	L level(V)	V <sub>IL</sub>	-	V <sub>SS</sub>	-	0.3VDD
Current(logic)	I <sub>DD</sub>	V <sub>DD</sub> =5.0	--	--	1.0	

DISPLAY CHARACTERISTICS

Item	Description
LCD	STN-Gray、STN-Y/G、STN-Blue；FSTN-Positive、FSTN-Negative；TN-Positive、TN-Negative；
Viewing	6:00 O'Clock、12:00 O'Clock
Driving Method	1/16Duty, 1/5 Bias, 4.5 V
Backlight	Without、LED-White、LED-Y/G、LED-Blue